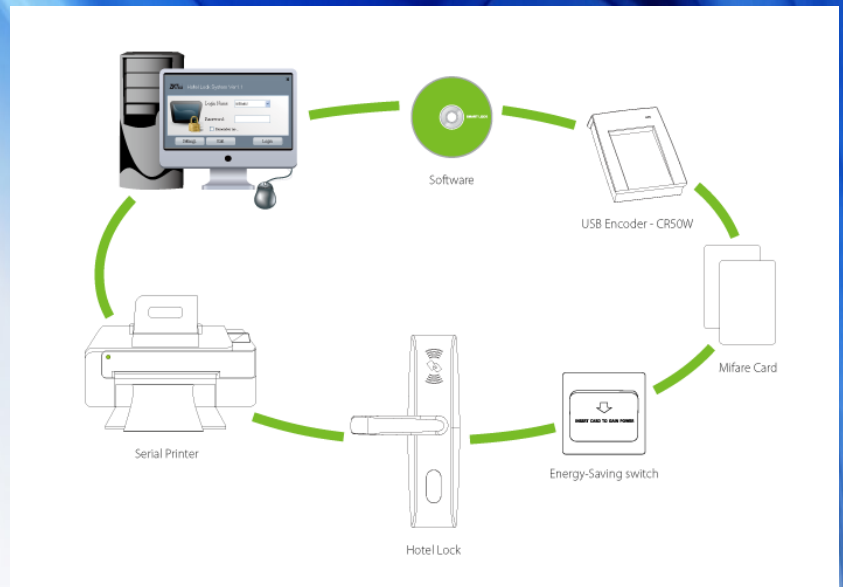




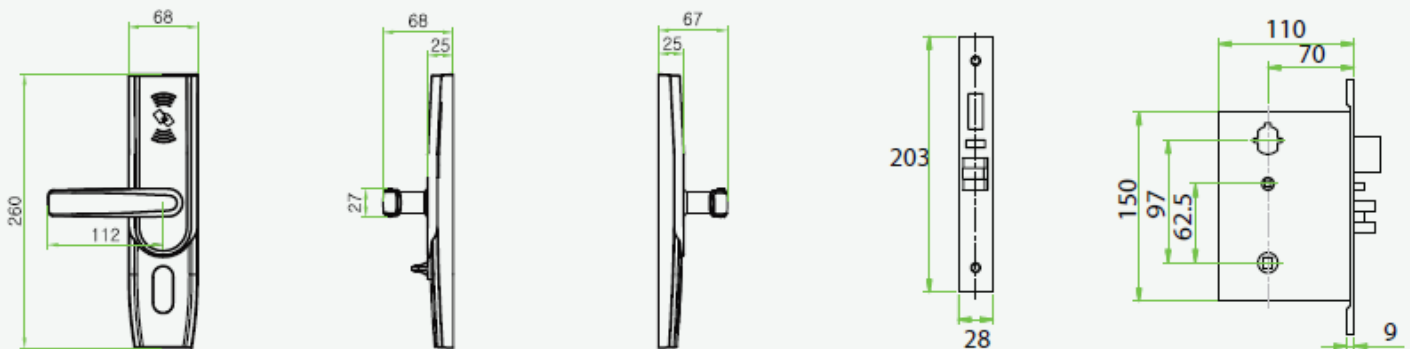
# LH5000 RFID Hotel Lock

# LH5000 RFID Hotel Lock

- With advanced 13.56mhz Mifare-1 card technology
- American standard mortise with 5 latches
- Zink Alloy housing with bright chrome finish (Outdoor unit only)
- With professional hotel lock management software
- Audit trail records the latest 224 lock transaction
- With warning beeps in low battery power
- Backset is 70mm



## Dimensions (mm)



Web: [www.actek.co.za](http://www.actek.co.za)

Tel: 012 653 4204

E-mail: [info@actek.co.za](mailto:info@actek.co.za)

Address: 89 DF Malan Ave, Lyttelton Manor, Centurion

